

## ARGO

<b>RIG</b>	
<b>Mast</b>	
Manufacturer	Ag+ Spars
Length of the tube (mm)	11 145
Profile	M225
<b>Boom</b>	
Manufacturer	AG+ Spars
Length of the tube (mm)	3 270
Profile	B160
<b>Bowsprit</b>	
Manufacturer	AG+ Spars
Length (rotation axis - end of the tube, in mm)	2 310
Inside diameter (mm)	72,8
Outside diameter (mm)	76
<b>CABLES</b>	
<b>Forestay</b>	
<u>Minimum length (mm)</u>	
<u>Maximum length (mm)</u>	<u>9 610</u>
<b>Backstays</b>	
<u>Minimum length (mm)</u>	
<u>Maximum length (mm)</u>	
<b>APPENDAGES</b>	
<b>Rudders</b>	
Rough weight(Kgs)	10
Measurements (L*I in mm)	1 334 * 311
<b>Keel</b>	
Mesure(s) including trailing edge (mm)	1 242 * 704
<b>MISCELLANEOUS</b>	
Exemptions / exceptions	Keel fin : cast aluminium
Steering system material	-
Batteries' position	Keel / under cockpit

## D2

<b>RIG</b>		
<b>Mast</b>		
Manufacturer	Selden	Zspars
Length of the tube (mm)	11 140	11 140
Profile	C116	Z230
<b>Boom</b>		
Manufacturer	Selden	Zspars
Length of the tube (mm)	3 265	-
Profile	B120	Z202
<b>Bowsprit</b>		
Manufacturer	Selden	Z
Length (rotation axis - end of the tube, in mm)	-	2 400
Inside diameter (mm)	-	52
Outside diameter (mm)	72	57
<b>CABLES</b>		
<b>Forestay</b>		
<u>Minimum length (mm)</u>		
<u>Maximum length (mm)</u>		
<b>Backstays</b>		
<u>Minimum length (mm)</u>		
<u>Maximum length (mm)</u>		
<b>APPENDAGES</b>		
<b>Rudders</b>		
Rough weight(Kgs)		6,5
Measurements (L*I in mm)		1 385
<b>Keel</b>		
Mesure(s) including trailing edge (mm)		-
<b>MISCELLANEOUS</b>		
Exemptions / exceptions		-
Steering system material		-
Batteries' position		Companionway / Box

## DINGO

<b>RIG</b>	
<b>Mast</b>	
Manufacturer	Z
Length of the tube (mm)	11 280
Profile	Z230
<b>Boom</b>	
Manufacturer	Z
Length of the tube (mm)	3 260
Profile	Z204
<b>Bowsprit</b>	
Manufacturer	Z
Length (rotation axis - end of the tube, in mm)	2 400
Inside diameter (mm)	52
Outside diameter (mm)	57
<b>CABLES</b>	
<b>Forestay</b>	
<u>Minimum length (mm)</u>	
<u>Maximum length (mm)</u>	
<b>Backstays</b>	
<u>Minimum length (mm)</u>	
<u>Maximum length (mm)</u>	
<b>APPENDAGES</b>	
<b>Rudders</b>	
Rough weight(Kgs)	6,5
Measurements (L*I in mm)	1 385
<b>Keel</b>	
Mesure(s) including trailing edge (mm)	1 268 * 600
<b>MISCELLANEOUS</b>	
Exemptions / exceptions	-
Steering system material	-
Batteries' position	Companionway / Box

## GINTO

RIG		
Mast		
Manufacturer	AG+	Sparcraft
Length of the tube (mm)	11 190	11 290
Profile	M225	F67
Boom		
Manufacturer	AG+	Sparcraft
Length of the tube (mm)	3 320	3 350
Profile	F125	F60
Bowsprit		
Manufacturer		AG+
Length (rotation axis - end of the tube, in mm)		2 400
Inside diameter (mm)		65
Outside diameter (mm)		70
CABLES		
Forestay		
<u>Minimum length (mm)</u>		
<u>Maximum length (mm)</u>		
Backstays		
<u>Minimum length (mm)</u>		
<u>Maximum length (mm)</u>		
APPENDAGES		
Rudders		
Rough weight(Kgs)		7-8 avec ferrures
Measurements (L*I in mm)		1 240 * 400
Keel		
Mesure(s) including trailing edge (mm)		1 360 – bulbe 1 190
MISCELLANEOUS		
Exemptions / exceptions		Hull 1 to 3 : insufficient deck cambert
Steering system material		-
Batteries' position		Companionway / keel

# MAXI 6,50

## RIG

### Mast

Manufacturer	AG+
Length of the tube (mm)	11 023
Profile	M214

### Boom

Manufacturer	AG+
Length of the tube (mm)	3 193
Profile	B165

### Bowsprit

Manufacturer	AG+
Longueur (axe de rotation – extrémité du tube, en mm)	2 400
Inside diameter (mm)	65
Outside diameter (mm)	70

## CABLES

### Forestay

<u>Minimum length (mm)</u>	<u>10 148</u>
<u>Maximum length (mm)</u>	<u>10 250</u>

### Backstays

<u>Minimum length (mm)</u>	<u>9 600</u>
<u>Maximum length (mm)</u>	<u>9 800</u>

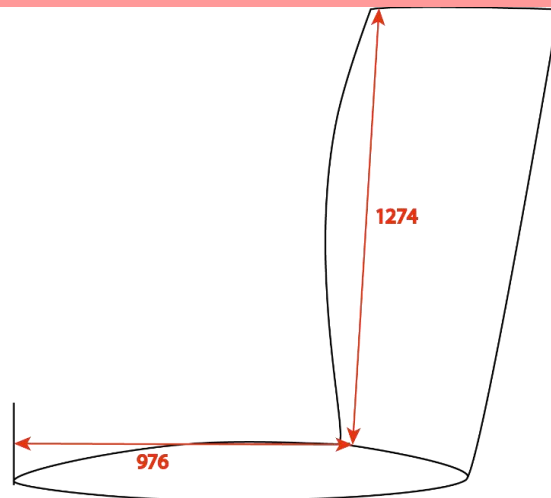
## APPENDAGES

### Rudders

Rough weight(Kgs)	7
Measurements (L*I in mm)	1 270*300

### Keel

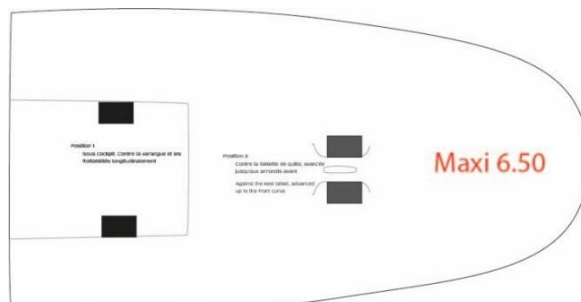
Mesure(s) including trailing edge (mm)



## MISCELLANEOUS

Exemptions / exceptions  
Steering system material  
Batteries' position

Hull 0 to 32 : various epoxy bonding  
Glass polyester



## MISTRAL

### RIG

#### Mast

Manufacturer	AG+
Length of the tube (mm)	11 236
Profile	M225

#### Boom

Manufacturer	AG+
Length of the tube (mm)	3 370
Profile	B205

#### Bowsprit

Manufacturer	AG+
Longueur (axe de rotation – extrémité du tube, en mm)	2 400
Inside diameter (mm)	58
Outside diameter (mm)	63

### CABLES

#### Forestay

Minimum length (mm)

Maximum length (mm)

#### Backstays

Minimum length (mm)

Maximum length (mm)

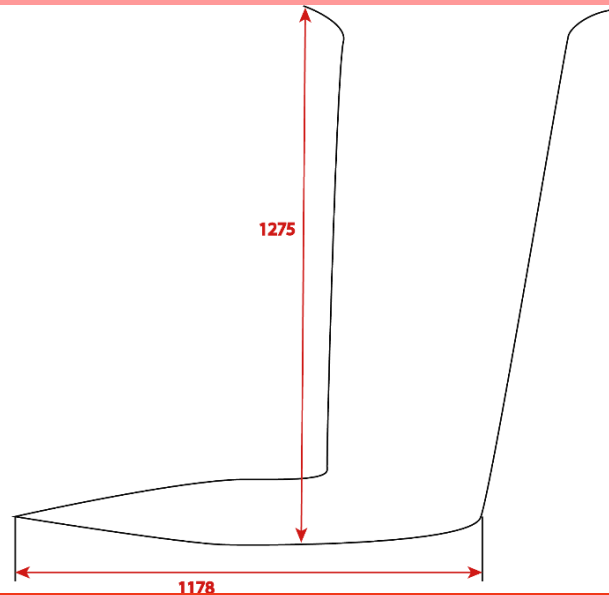
### APPENDAGES

#### Rudders

Rough weight(Kgs)	6,4
Measurements (L*I in mm)	1 385

#### Keel

Mesure(s) including trailing edge (mm)



### MISCELLANEOUS

Exemptions / exceptions  
 Steering system material  
 Batteries' position

Mini #495-533 : shrouds position  
 -  
 Front box / keel

# NACIRA

## RIG

### Mast

Manufacturer	AG+
Length of the tube (mm)	11 080
Profile	M225

### Boom

Manufacturer	AG+
Length of the tube (mm)	3 285
Profile	B160

### Bowsprit

Manufacturer	-
Length (rotation axis - end of the tube, in mm)	2 400
Inside diameter (mm)	-
Outside diameter (mm)	63

## CABLES

### Forestay

<u>Minimum length (mm)</u>	
<u>Maximum length (mm)</u>	<u>9 827</u>

### Backstays

<u>Minimum length (mm)</u>	
<u>Maximum length (mm)</u>	

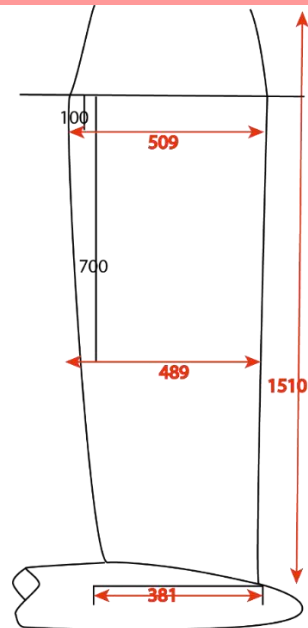
## APPENDAGES

### Rudders

Rough weight(Kgs)	7,65 with fittings
Measurements (L*I in mm)	1 327 * 301

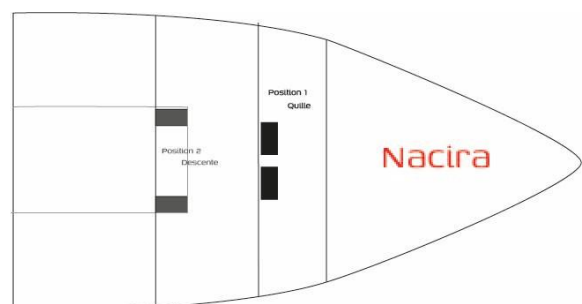
### Keel

Measure(s) including trailing edge (mm)



## MISCELLANEOUS

Exemptions / exceptions	-
Steering system material	-
Batteries' position	



# NAUS

## RIG

### Mast

Manufacturer	Licospars
Length of the tube (mm)	11 236
Profile	116/78

### Boom

Manufacturer	Licospars
Length of the tube (mm)	3 320
Profile	115

### Bowsprit

Manufacturer	Licospars	
Length (rotation axis - end of the tube, in mm)	Min. 2 500	
Inside diameter (mm)	65	55
Outside diameter (mm)	70	60

## CABLES

### Forestay

Minimum length (mm)

Maximum length (mm)

### Backstays

Minimum length (mm)

Maximum length (mm)

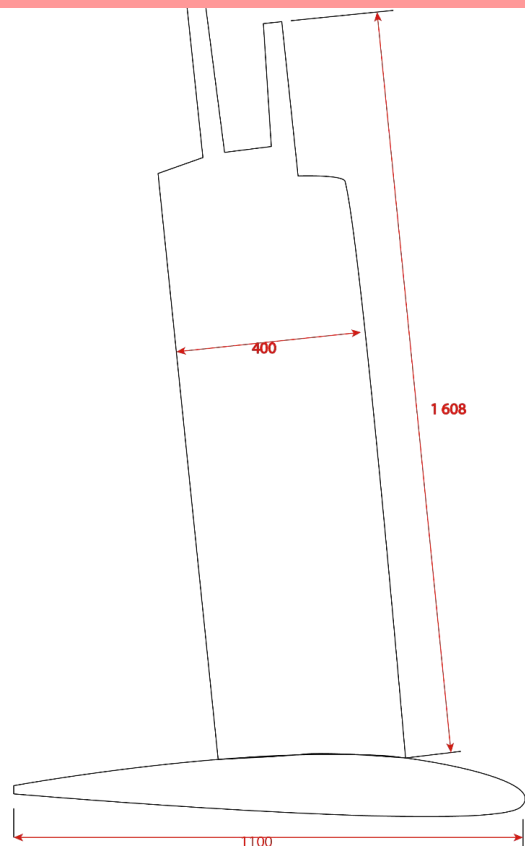
## APPENDAGES

### Rudders

Rough weight(Kgs)	Min. 5 - Max. 11
Measurements (L*I in mm)	Min. 1 250*280
	Max. 1 450*280

### Keel

Mesure(s) including trailing edge (mm)



## MISCELLANEOUS

Exemptions / exceptions  
 Steering system material  
 Batteries' position

-  
 -  
 Companionway



## OFCET

<b>RIG</b>	
<b>Mast</b>	
Manufacturer	AG+
Length of the tube (mm)	11 100
Profile	M214
<b>Boom</b>	
Manufacturer	AG+
Length of the tube (mm)	3 160
Profile	B200/B165
<b>Bowsprit</b>	
Manufacturer	AG+
Length (rotation axis - end of the tube, in mm)	2 305
Inside diameter (mm)	57
Outside diameter (mm)	63
<b>CABLES</b>	
<b>Forestay</b>	
<u>Minimum length (mm)</u>	<u>9 710</u>
<u>Maximum length (mm)</u>	<u>9 770</u>
<b>Backstays</b>	
<u>Minimum length (mm)</u>	<u>9 850</u>
<u>Maximum length (mm)</u>	
<b>APPENDAGES</b>	
<b>Rudders</b>	
Rough weight(Kgs)	4,5 / 5,5 (shovel)
Measurements (L*I in mm)	L : 809 Ch : 329 Cb : 170
<b>Keel</b>	
Mesure(s) including trailing edge (mm)	H : 1 240 Ch : 580 Cb : 416 Trailing edge : 1 255
<b>MISCELLANEOUS</b>	
Exemptions / exceptions	-
Steering system material	-
Batteries' position	Under cockpit

## POGO 1

<b>RIG</b>			
<b>Mast</b>			
Manufacturer		Z	
Length of the tube (mm)		11 150	
Profile		Z230	
<b>Boom</b>			
Manufacturer		Z	
Length of the tube (mm)	3 680		-
Profile	Z204		Z202
<b>Bowsprit</b>			
Manufacturer		Z	
Length (rotation axis - end of the tube, in mm)		4 000	
Inside diameter (mm)		65	
Outside diameter (mm)		70	
<b>CABLES</b>			
<b>Forestay</b>			
<u>Minimum length (mm)</u>		<u>9805</u>	
<u>Maximum length (mm)</u>			
<b>Backstays</b>			
<u>Minimum length (mm)</u>		<u>9890</u>	
<u>Maximum length (mm)</u>			
<b>APPENDAGES</b>			
<b>Rudders</b>			
Rough weight(Kgs)		7	
Measurements (L*I in mm)		1 350	
<b>Keel</b>			
Mesure(s) including trailing edge (mm)		1 260	
<b>MISCELLANEOUS</b>			
Exemptions / exceptions		-	
Steering system material		-	
Batteries' position		Companionway	

## POGO 2

### RIG

#### Mast

Manufacturer	Z
Length of the tube (mm)	11 100
Profile	Z230

#### Boom

Manufacturer	Z
Length of the tube (mm)	3 520
Profile	Z204
	Z202

#### Bowsprit

Manufacturer	Z
Longueur (axe de rotation – extrémité du tube, en mm)	2 400
Inside diameter (mm)	65
Outside diameter (mm)	70

### CABLES

#### Forestay

Minimum length (mm)

Maximum length (mm)

#### Backstays

Minimum length (mm)

Maximum length (mm)

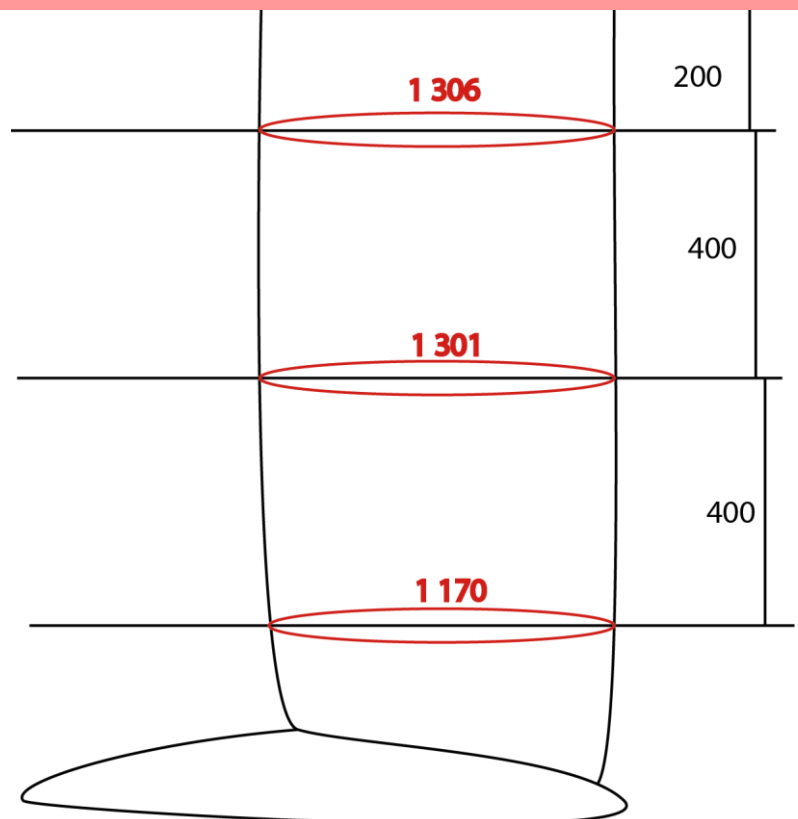
### APPENDAGES

#### Rudders

Rough weight(Kgs)	6,5
Measurements (L*I in mm)	1 260

#### Keel

Mesure(s) including trailing edge (mm)



### MISCELLANEOUS

Exemptions / exceptions  
 Steering system material  
 Batteries' position

-  
 Carbon fiber  
 Companionway / Keel

## POGO 3

### RIG

#### Mast

Manufacturer	AG+
Length of the tube (mm)	10 982
Profile	M215

#### Boom

Manufacturer	AG+
Length of the tube (mm)	3 006
Profile	B165

#### Bowsprit

Manufacturer	AG+
Longueur (axe de rotation – extrémité du tube, en mm)	2 397
Inside diameter (mm)	66
Outside diameter (mm)	70

### CABLES

#### Forestay

Minimum length (mm)

Maximum length (mm)

#### Backstays

Minimum length (mm)

Maximum length (mm)

### APPENDAGES

#### Rudders

Rough weight(Kgs)	7,5
Measurements (L*I in mm)	1 235*315

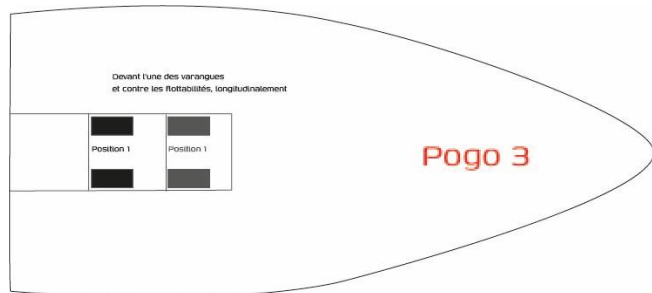
#### Keel

Measure(s) including trailing edge (mm)	-
---	---

### MISCELLANEOUS

Exemptions / exceptions  
 Steering system material  
 Batteries' position

Hull/deck bonding : PU adhesive  
 Glass polyester



# RG 6,50

## RIG

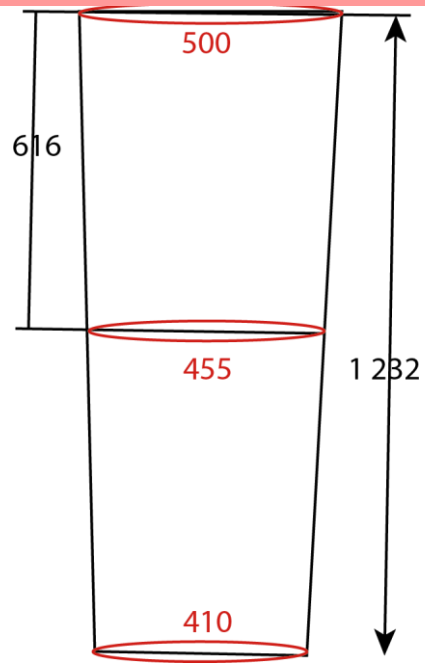
<b>Mast</b>			
Manufacturer	Z		
Length of the tube (mm)	10 965		
Profile	Z230		
<b>Boom</b>			
Manufacturer	Z		
Length of the tube (mm)	3 350		
Profile	Z204		Z202
<b>Bowsprit</b>			
Manufacturer	Riotecna		
Longueur (axe de rotation – extrémité du tube, en mm)	2 350		
Inside diameter (mm)	57,8		
Outside diameter (mm)	61,5		

## CABLES

<b>Forestay</b>			
<u>Minimum length (mm)</u>			
<u>Maximum length (mm)</u>			
<b>Backstays</b>			
<u>Minimum length (mm)</u>			
<u>Maximum length (mm)</u>			

## APPENDAGES

<b>Rudders</b>			
Rough weight(Kgs)	6		
Measurements (L*I in mm)	1 385*311		
<b>Keel</b>			
Measure(s) including trailing edge (mm)			



## MISCELLANEOUS

Exemptions / exceptions	-
Steering system material	Aluminium
Batteries' position	Keel / under cockpit

## SUPER CÂLIN

### RIG

#### Mast

Manufacturer	Z
Length of the tube (mm)	11 350
Profile	Z230

#### Boom

Manufacturer	Z
Length of the tube (mm)	3 650
Profile	Z240

#### Bowsprit

Manufacturer	Magnan
Longueur (axe de rotation – extrémité du tube, en mm)	2 400
Inside diameter (mm)	58
Outside diameter (mm)	63

### CABLES

#### Forestay

Minimum length (mm)

Maximum length (mm)

#### Backstays

Minimum length (mm)

Maximum length (mm)

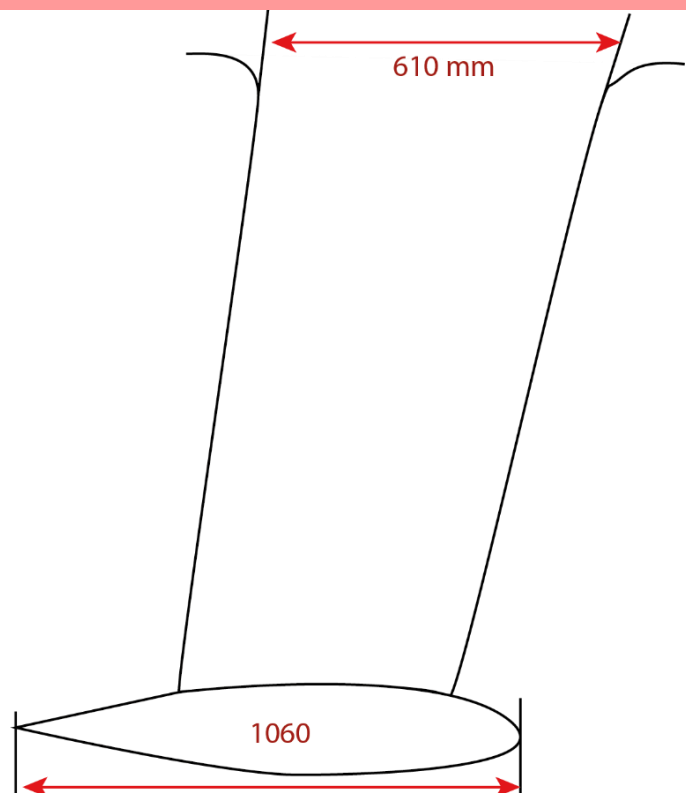
### APPENDAGES

#### Rudders

Rough weight(Kgs)	6,5
Measurements (L*I in mm)	1 390

#### Keel

Mesure(s) including trailing edge (mm)



### MISCELLANEOUS

Exemptions / exceptions	-
Steering system material	-
Batteries' position	Companionway / central box

## TIP TOP

### RIG

#### Mast

Manufacturer	AG+ Sparcraft
Length of the tube (mm)	11 080
Profile	M225 or equivalent

#### Boom

Manufacturer	AG+ Sparcraft
Length of the tube (mm)	3 600
Profile	F60

#### Bowsprit

Manufacturer	Z	Sparcraft	Z	Z
Longueur (axe de rotation – extrémité du tube, en mm)		2 400		
Inside diameter (mm)	65	55	52	65
Outside diameter (mm)	70	60	57	70

### CABLES

#### Forestay

Minimum length (mm)

Maximum length (mm)

#### Backstays

Minimum length (mm)

Maximum length (mm)

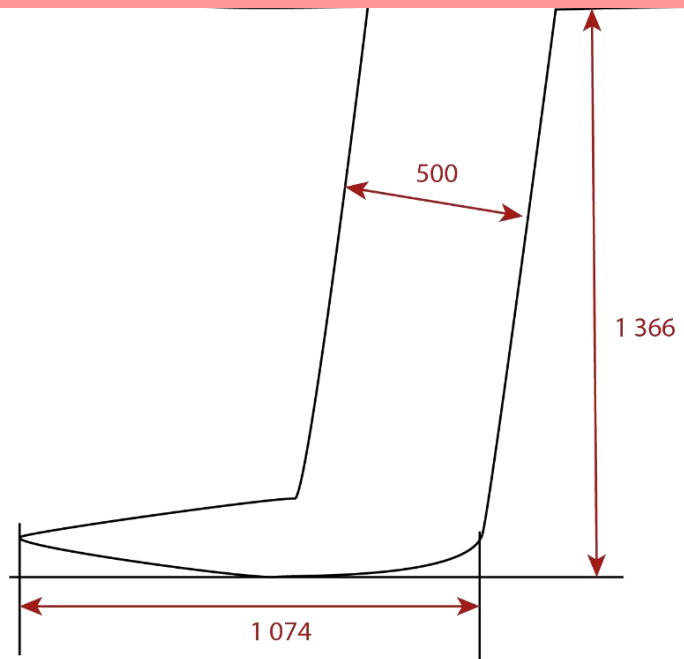
### APPENDAGES

#### Rudders

Rough weight(Kgs)	7
Measurements (L*I in mm)	1 300*300

#### Keel

Mesure(s) including trailing edge (mm)



### MISCELLANEOUS

Exemptions / exceptions	-
Steering system material	-
Batteries' position	Companionway / keel

# TM

## RIG

### Mast

Manufacturer	AG+
Length of the tube (mm)	10 850
Profile	M220

### Boom

Manufacturer	AG+
Length of the tube (mm)	3 250
Profile	B165

### Bowsprit

Manufacturer	AG+
Longueur (axe de rotation – extrémité du tube, en mm)	2 395
Inside diameter (mm)	
Outside diameter (mm)	70

## CABLES

### Forestay

<u>Minimum length (mm)</u>	
<u>Maximum length (mm)</u>	<u>10 332</u>

### Backstays

<u>Minimum length (mm)</u>	<u>10 400</u>
<u>Maximum length (mm)</u>	<u>10 860</u>

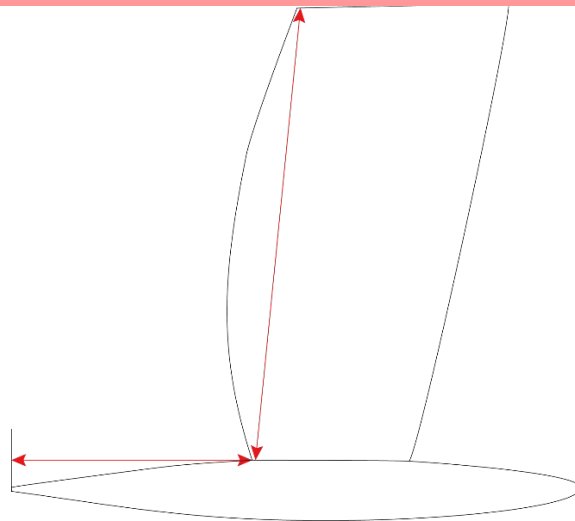
## APPENDAGES

### Rudders

Rough weight(Kgs)	
Measurements (L*I in mm)	

### Keel

Mesure(s) including trailing edge (mm)



## MISCELLANEOUS

Batteries' position :under cockpit





## VECTOR

### RIG

#### Mast

Manufacturer	AG+
Length of the tube (mm)	11 110
Profile	M220

#### Boom

Manufacturer	AG+
Length of the tube (mm)	3 075
Profile	B165

#### Bowsprit

Manufacturer	AG+
Longueur (axe de rotation – extrémité du tube, en mm)	2 400
Inside diameter (mm)	65
Outside diameter (mm)	70

### CABLES

#### Forestay

<u>Minimum length (mm)</u>	
<u>Maximum length (mm)</u>	<u>9 990</u>

#### Backstays

<u>Minimum length (mm)</u>	<u>9 720</u>
<u>Maximum length (mm)</u>	

### APPENDAGES

#### Rudders

Rough weight(Kgs)	8 with fittings
Measurements (L*I in mm)	1 430 * 287 * 181

#### Keel

Mesure(s) including trailing edge (mm)	1 270 * 590 * 390 *40
--	-----------------------

### MISCELLANEOUS

Exemptions / exceptions	Hull 1 to 8 : deck/shell plating junction with PVC foam
Steering system material	Glass polyester
Batteries' position	Under cockpit, front of the liferaft

## ZERO

### RIG

#### Mast

Manufacturer	Z
Length of the tube (mm)	9 680
Profile	Z230

#### Boom

Manufacturer	Z	
Length of the tube (mm)	3 270	
Profile	Z204	Z202

#### Bowsprit

Manufacturer	Z
Longueur (axe de rotation – extrémité du tube, en mm)	2 400
Inside diameter (mm)	65
Outside diameter (mm)	70

### CABLES

#### Forestay

Minimum length (mm)

Maximum length (mm)

#### Backstays

Minimum length (mm)

Maximum length (mm)

### APPENDAGES

#### Rudders

Rough weight(Kgs)	8,4	
Measurements (L*I in mm)	1 482	1 560

#### Keel

Mesure(s) including trailing edge (mm)	1 395 * 450
--	-------------

### MISCELLANEOUS

Exemptions / exceptions

Steering system material

Batteries' position

-

Carbon tiller

Keel